

ALC™

OBSERVER

Wireless Video Surveillance System

7" Touch Screen Wireless Surveillance System



Model AWS2155

Wireless Made Simple.

QUICK START GUIDE

Let's Get Started

IN THE BOX



7" Touch screen control panel



(2) Outdoor cameras with multi-position stands



(3) AC power adapters with (2) extension cords



4 GB microSD card



microiUSB cable



A/V (Audio/Video) cable



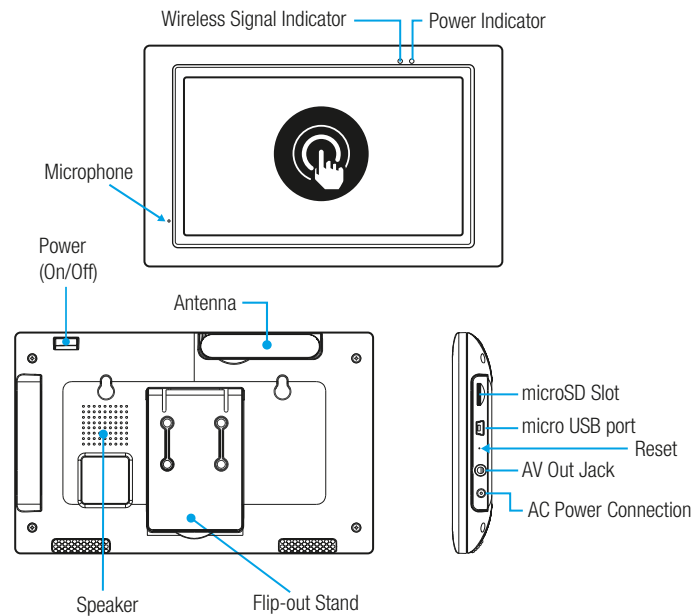
(2) Camera Installation Screw Packs



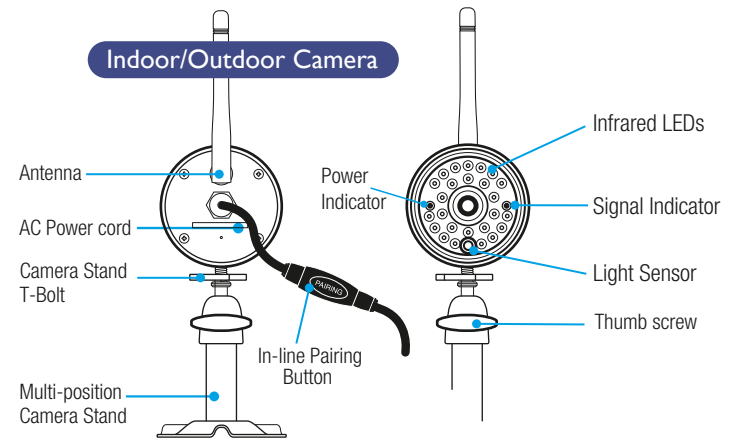
Quick Start Guide

Model AWS2155

7" Touch Screen Control Panel



Indoor/Outdoor Camera



Tip: Plan the location of your cameras for optimal viewing and proximity to AC Power outlets, (2) power extension cables are included.

NOTE: Avoid installing in a location which requires the wireless signal to pass through cement, concrete and metal structures. This will reduce the transmission range.



Quick



Tools

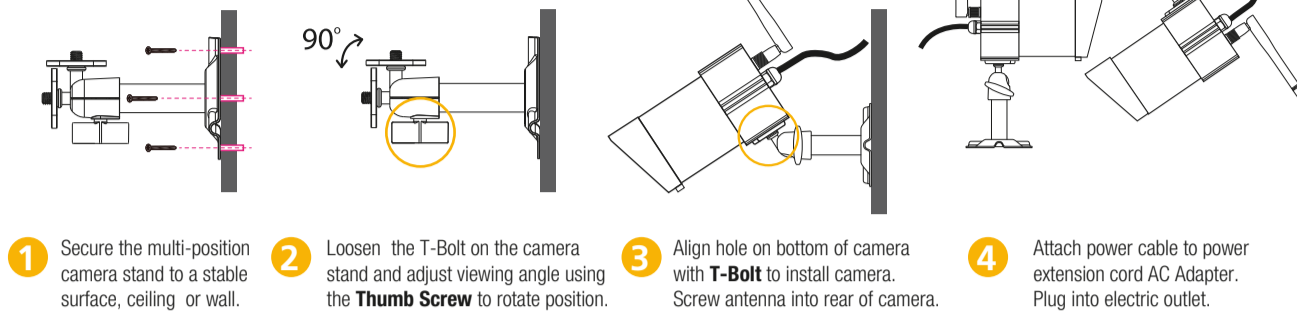


Simple Set Up

Phillips head screwdriver or drill may be required for installation

CAMERA INSTALLATION + SETUP

CAMERA MOUNTING



- 1 Secure the multi-position camera stand to a stable surface, ceiling or wall.
- 2 Loosen the T-Bolt on the camera stand and adjust viewing angle using the **Thumb Screw** to rotate position.
- 3 Align hole on bottom of camera with **T-Bolt** to install camera. Screw antenna into rear of camera.
- 4 Attach power cable to power extension cord AC Adapter. Plug into electric outlet.

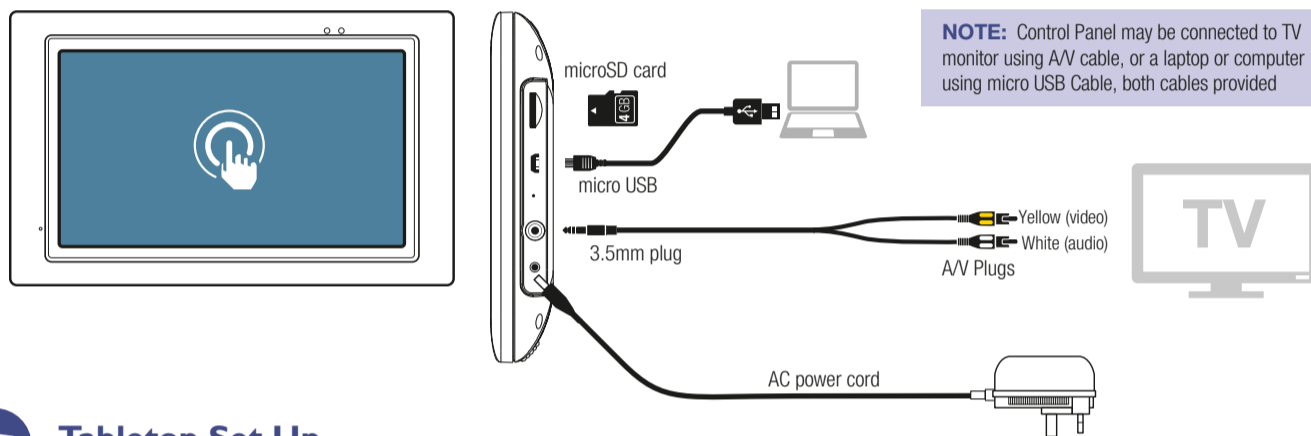
NOTE: Cameras are IP66 rated for indoor/outdoor use. For outdoor use it is recommended to install camera under shelter to protect from direct exposure to sunlight and other environmental elements. Avoid pointing a camera directly at any bushes or tree branches or objects that may naturally move due to winds.

EXPANDABLE up to 4 cameras

Ask your retailer for accessory cameras (Model AWS25) compatible with this system.



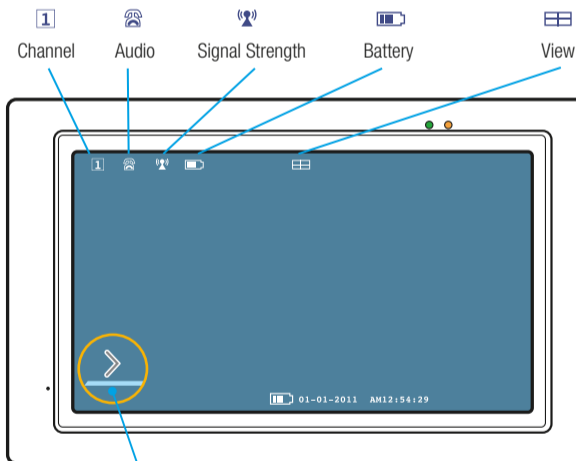
CONTROL PANEL SETUP



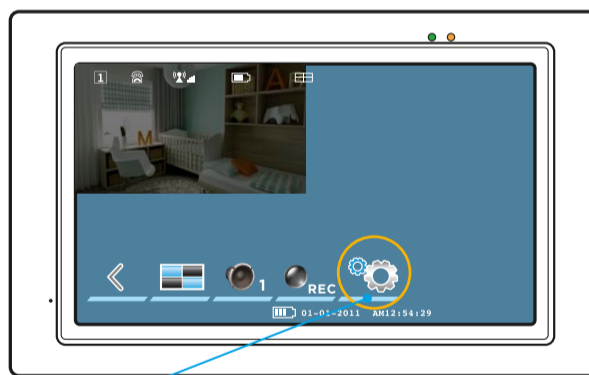
NOTE: Control Panel may be connected to TV monitor using AV cable, or a laptop or computer using micro USB Cable, both cables provided

Tabletop Set Up

- 5 Open Flip-Out Stand and position Control Panel monitor on a flat, stable surface. The Control Panel can also be mounted to a wall or under a cabinet, see full User's Guide for instructions.
- 6 Extend the antenna on the control panel. Press and hold the Power button on the top of the control panel monitor for 3-4 seconds until screen illuminates.
- 7 The camera(s) installed and plugged in will automatically appear on the control panel monitor. If they do not appear, or if adding an additional camera (sold separately) refer to Pairing Camera to Control Panel.
- 8 To Prepare for Recording, insert the microSD card provided into the slot on right side of the Control Panel. Most microSD card brands are supported up to 32 GB. The microSD Card status icon on Control Panel will indicate proper installation.

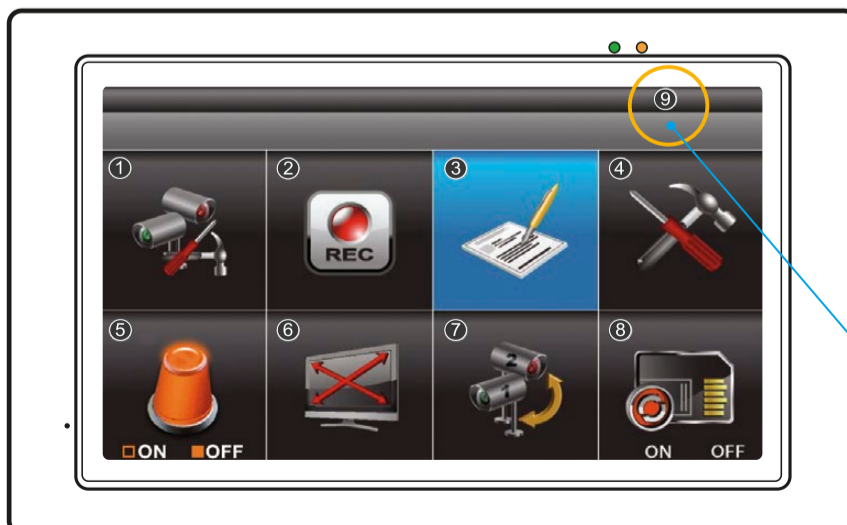


Tap **ARROW** to Display Short Cut icons.



Tap **SETTINGS** icon to display **MAIN MENU** to configure system preferences, from camera brightness to language and Recording Settings. Refer to full User Manual for more detailed instructions.

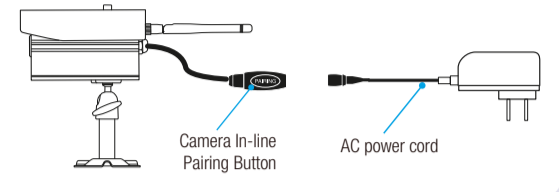
Main Menu On Screen Display



- (1) CAMERA Setup
- (2) RECORDER Setup
- (3) Event List
- (4) SYSTEM Setup
- (5) Alarm Buzzer
- (6) Pan / Tilt / Zoom
- (7) SCAN Activated Cameras
- (8) MEMORY CARD Overwrite
- (9) Return To LIVE VIEW

PAIRING ADDITIONAL CAMERAS TO CONTROL PANEL

The AWS2155 Wireless Surveillance System supports up to four (4) wireless surveillance cameras. Use the following steps to pair each additional camera.



From the **MAIN MENU** select the **CAMERA Setup** icon



Then select camera station to be paired

- Camera Pairing
- Camera Brightness Adjustment
- Camera Activation

- 1 Tap the **CAMERA STATION** you want to pair; a 30-second timer will start.
- 2 Within 30 seconds, press the **PAIRING KEY** **once** on the camera's power cord. The screen header will change from pairing to paired.
- 3 Go to **HOME SCREEN** to view live cameras on the Control Panel Monitor.

RECORDER SETUP

MOTION RECORDING

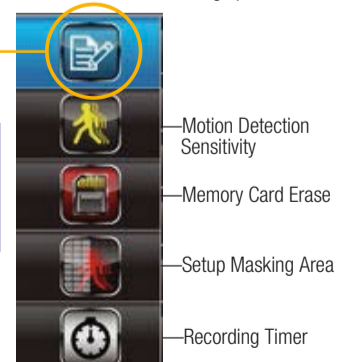
- 1 Tap **RECORD** Icon to set schedules, motion detection sensitivity, microSD card options, camera masking area, and record times.



NOTE: Default setting for recording time is 2 minutes.

- 2 **RECORD SCHEDULE** enables you to select from the following options:
(M) = Motion
(S) = Scheduled Times
(X) = Manual

NOTE: Recordings can be manually stopped, or will be automatically stopped after 10 minutes.



NOTE: Do not submerge in water, monitor near water. **STRANGULATION HAZARD:** Infants have **STRANGLED** in power cords. Keep power cords more than 3 feet away from cribs. When using your equipment, always follow basic safety precautions to reduce the risk of fire, electric shock and injury to persons. Illustrations are for reference only. Actual product specifications may vary. For additional precautions and product information, please see owner's manual at www.atomslabs.com/support

For detailed installation and setup, please refer to the Model AWS2155 complete User's Guide available on our website: www.atomslabs.com/support



SCAN TO VIEW COMPLETE USER'S GUIDE